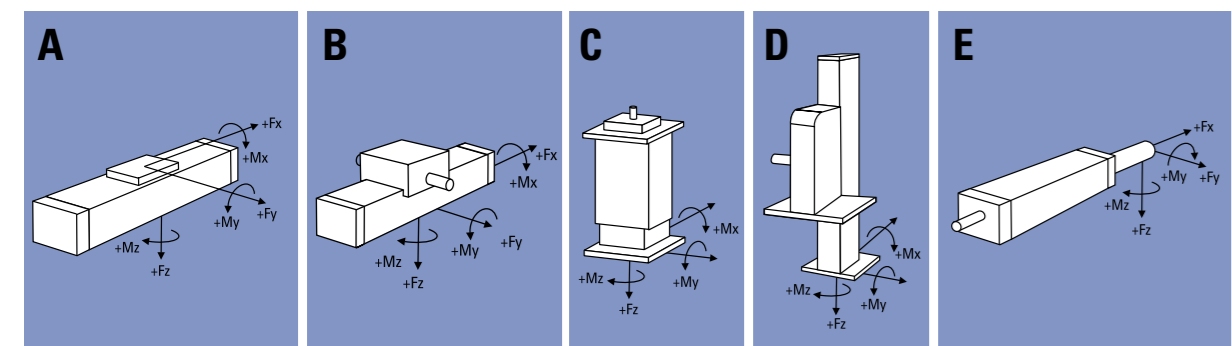


## Photos of the Units

<b>Ball Screw Drive, Ball Guide</b> 1  2  3 	<b>Belt Drive, Ball Guide</b> 6  7  8  9 	<b>Linear Lifting Units</b> 14  15  16 
<b>Ball Screw Drive, Slide Guide</b> 4  5 	<b>Belt Drive, Slide Guide</b> 10  11 	<b>Linear Rod Units</b> 17  18  19 
	<b>Belt Drive, Wheel Guide</b> 12  13 	

## Definition of Forces

Please use these definitions when referring to a force that are applied to the unit.



### USA, CANADA and MEXICO

Thomson  
 203A West Rock Road  
 Radford, VA 24141, USA  
 Phone: 1-540-633-3549  
 Fax: 1-540-633-0294  
 E-mail: thomson@thomsonlinear.com  
 Literature: literature.thomsonlinear.com

### EUROPE

**United Kingdom**  
 Thomson  
 Office 9, The Barns  
 Caddsdow Business Park  
 Bideford  
 Devon, EX39 3BT  
 Phone: +44 (0) 1271 334 500  
 E-mail: sales.uk@thomsonlinear.com

### Germany

Thomson  
 Nürtinger Straße 70  
 72649 Wolfschlugen  
 Phone: +49 (0) 7022 504 0  
 Fax: +49 (0) 7022 504 405  
 E-mail: sales.germany@thomsonlinear.com

### France

Thomson  
 Phone: +33 (0) 243 50 03 30  
 Fax: +33 (0) 243 50 03 39  
 E-mail: sales.france@thomsonlinear.com

### Italy

Thomson  
 Largo Brughetti  
 20030 Bovisio Masciago  
 Phone: +39 0362 594260  
 Fax: +39 0362 594263  
 E-mail: sales.italy@thomsonlinear.com

### Spain

Thomson  
 E-mail: sales.esm@thomsonlinear.com

### Sweden

Thomson  
 Estridsväg 10  
 29109 Kristianstad  
 Phone: +46 (0) 44 24 67 00  
 Fax: +46 (0) 44 24 40 85  
 E-mail: sales.scandinavia@thomsonlinear.com

### ASIA

**Asia Pacific**  
 Thomson  
 E-mail: sales.apac@thomsonlinear.com

### China

Thomson  
 Rm 2205, Scitech Tower  
 22 Jianguomen Wai Street  
 Beijing 100004  
 Phone: +86 400 6661 802  
 Fax: +86 10 6515 0263  
 E-mail: sales.china@thomsonlinear.com

### India

Thomson  
 c/o Fluke Technologies Pvt. Ltd.  
 #424, Deodhar Center,  
 Marol Maroshi Road,  
 Andheri - E, Mumbai - 400059 India  
 Phone: +91 22 29207641  
 E-mail: sales.india@thomsonlinear.com

### Japan

Thomson  
 Minami-Kaneden 2-12-23, Suita  
 Osaka 564-0044 Japan  
 Phone: +81-6-6386-8001  
 Fax: +81-6-6386-5022  
 E-mail: csjapan@scgap.com

### Korea

Thomson  
 F7 Ilsong Bldg, 157-37  
 Samsung-dong, Kangnam-gu,  
 Seoul, Korea (135-090)  
 Phone: +82 2 6917 5049  
 Fax: +82 2 528 1456  
 E-mail: sales.korea@thomsonlinear.com

### SOUTH AMERICA

#### Brazil

Thomson  
 Av. Tamboré, 1077  
 Barueri, SP - 06460-000  
 Phone: +55 (11) 3616-0191  
 Fax: +55 (11) 3611-1982  
 E-mail: sales.brasil@thomsonlinear.com



## Linear Units Quick Selection Guide

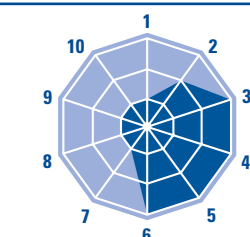
## Product Groups

Thomson linear units are divided in to seven product groups depending on the drive and guiding method being used.

### Ball screw driven - ball guided units

Units designed for high thrust, payload, precision and stiffness.

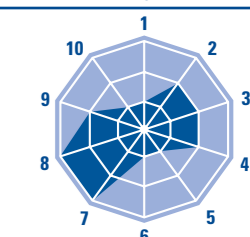
- Force up to 12000 N
- Repeatability down to 0,005mm



### Ball screw driven - slide guided units

Low cost units for high thrust applications and demanding environments.

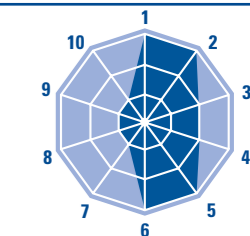
- Durable guide system
- Washdown protected version



### Belt driven - ball guided units

Smooth running units for high speed, acceleration and load requiring a long lifetime.

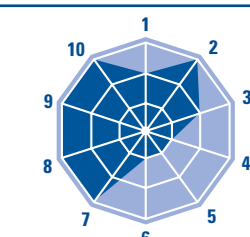
- Speed up to 5 m/s
- Acceleration up to 40 m/s²



### Belt driven - slide guided units

Units for applications requiring smooth travel, high speed, high acceleration and low maintenance.

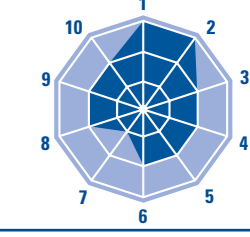
- Cost efficient guide system
- Chemically protected versions



### Belt driven - wheel guided units

Units for high speed, high acceleration, smooth motion and medium to high loads.

- Speed up to 10 m/s
- Acceleration up to 40 m/s²



### Linear lifting units

Units for lifting applications that often are used in X-Y configurations in combination with other linear units.

### Linear rod units

Units designed for lifting applications or for the replacement of hydraulic and pneumatic cylinders.

1. Velocity
2. Acceleration
3. Repeatability
4. Force
5. Load torque
6. Stiffness
7. Guide robustness
8. Cost
9. Maintenance
10. Noise

